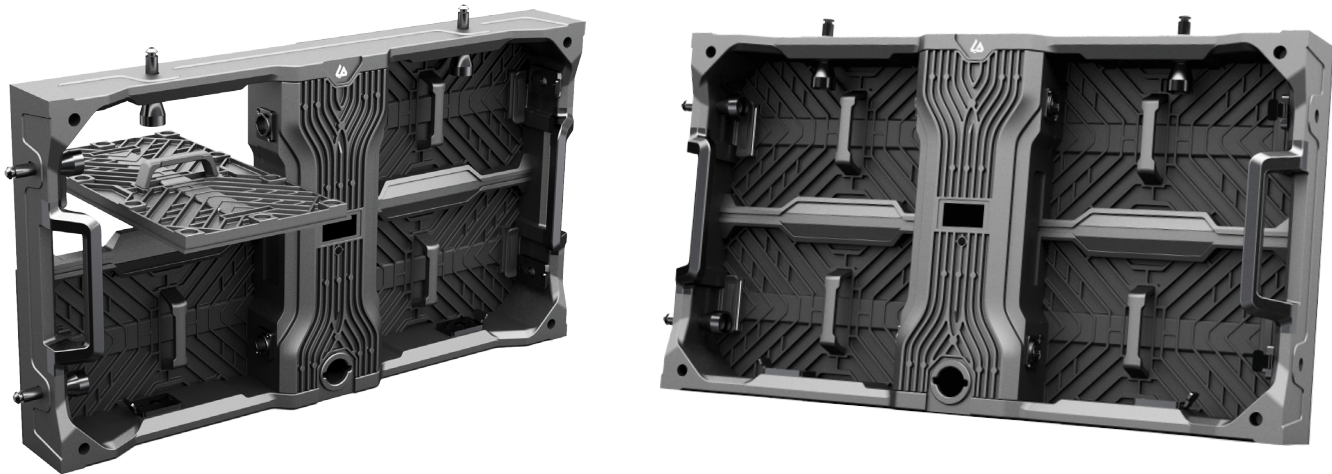


CERIUM SERIES

CERIUM Series - The Most Customizable Cabinet in the Industry



CERIUM BY VANGUARD

The new Cerium Series from Vanguard LED Displays is the latest addition to our diverse range of product offerings. Cerium features our 16:9 native aspect ratio cabinet.

The Cerium Series is a hybrid created from our best-selling Axion and Rhodium series.

It is offered in pixel pitches from P1.8 to P4.

Cerium allows for easy hanging and/or ground stacking.

What sets the Cerium series apart from the rest of the market is its unparalleled customization.

The Cerium series features complete component customization to allow for the perfect combination of grey levels, color depth, and refresh rate.

By offering choices between 5 different receiver cards and 2 different IC drivers to achieve budgeted numbers.

The Cerium Series can be further customized by offering two options that are just being introduced into the LED display market, anti-Moire masks and VCOB (Vanguard Chip-On-Board) lamp protection.

Whether a project calls for broadcast cameras and the elimination of moire or a durable robust cabinet that can withstand the rigors of the rental or touring business, Cerium can provide the solution.

The Cerium series can be summed up as follows- regardless of the application there is a Cerium solution.

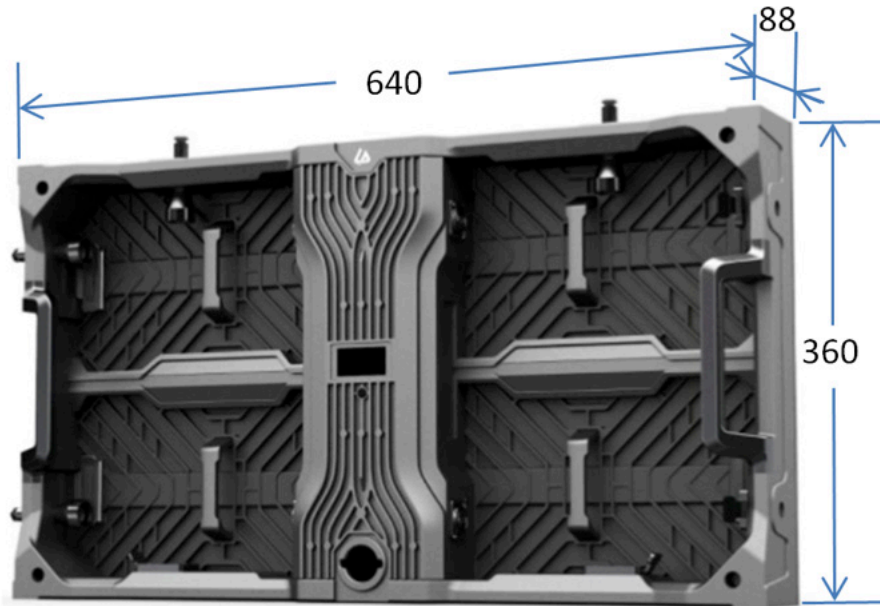
- 16:9 native aspect ratio cabinet.
- Full front or rear serviceability.
- Flyable or ground stackable.
- Available in P1.8-P4.
- Interior of cabinet has one (1) cableless connection for data and power per module. No clutter as there are no failure prone flimsy ribbon cables.
- Fully customizable components allow for a unique solution tailored to meet the specific needs of each individual project;
 - > IC driver specifications allow for customizable refresh and scan rates.
 - > Receiving Card specifications allow for custom grey levels between 14-18 bits.
 - > Anti-Moire mask available.
 - > VCOB (Vanguard Chip-On-Board) LED lamp protection available
 - > Touch integration available.
- Seam brightness compensation.
- Smart module data retention.
- 10bit HDR support coming soon.

VANGUARD

LED DISPLAYS

A Partner Committed To Exceptional Service

CERIUM SERIES



Technical Specifications

Model Number	1.8	2.5	P2.85	P3.3	P4
Pixel Pitch	1.87mm	2.5mm	2.85mm	3.3mm	4mm
Physical Density	284,444 pixel/m ²	160,000 pixel/m	122,500 pixel/m ²	69,120 pixel/m ²	62,600 pixel/m ²
LED Shape	SMD1010 Black	SMD2121 Black	SMD2121 Black	SMD2121 Black	SMD2121 Black
LED Configuration	3 in-1	3 in1	3 in1	3 in1	3 in1
Module Size	12.6"x7.35"	12.6"x7.35"	12.6"x7.35"	12.6"x7.35"	12.6"x7.35"
Module Resolution	80*60	64*36	112*63	96*54	80*45
Driving Method	1/30 Scanning	1/10 Scanning	1/10 Scanning	1/10 Scanning	1/10 Scanning
Cabinet Size	25.2"x14.7"	25.2"x14.7"	25.2"x14.7"	25.2"x14.7"	25.2"x14.7"
Cabinet Resolution	320*180	256*144	224*126	192*108	160*90
Module Quantity	4	4	4	4	4
Cabinet Weight	19.8	19.8	19.8	19.8	19.8
Cabinet Material	Die Cast Aluminum	Die Cast Aluminum	Die Cast Aluminum	Die Cast Aluminum	Die Cast Aluminum
Brightness	800 Nits	800 Nits	800 Nits	800-1200 Nits	800-1200 Nits
View Angle	160°/140°	160°/140°	160°/140°	160°/140°	160°/140°
Gray Scale	14-18bit	14-18bit	14-18bit	14-18bit	14-18bit
Power Source Voltage	AC220V -AC110V 50-60Hz	AC220V -AC110V 50-60Hz	AC220V -AC110V 50-60Hz	AC220V -AC110V 50-60Hz	AC220V -AC110V 50-60Hz
Max Power Consumption	170W Per cabinet	170W Per cabinet	170W Per cabinet	170W Per cabinet	170W Per cabinet
Average Power Consumption	45W Per Cabinet	45W Per Cabinet	45W Per Cabinet	45W Per Cabinet	45W Per Cabinet
Minimum Viewing Distance	9'	12.5'	14.25'	16.5'	20'